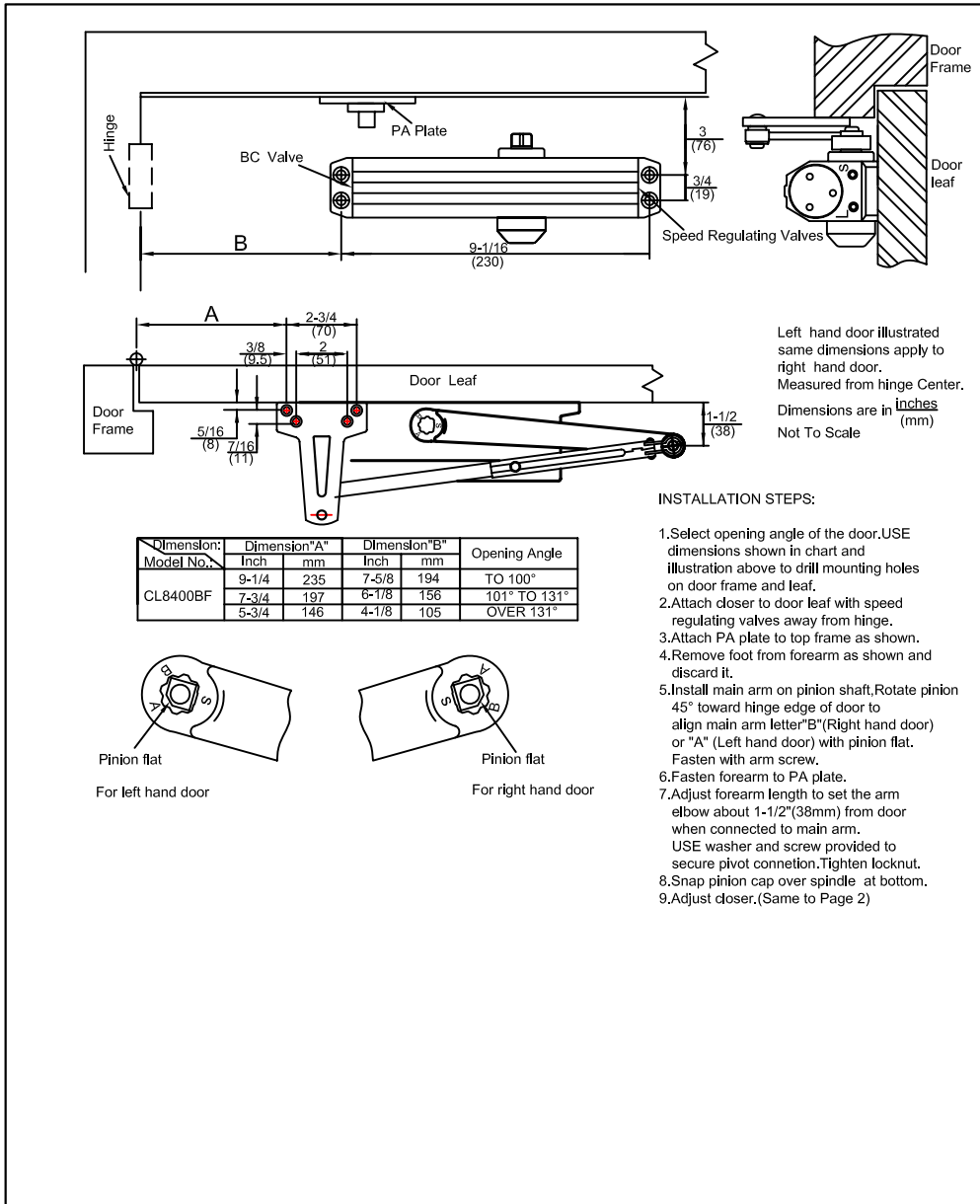


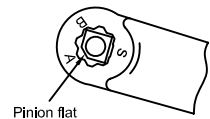
PARALLEL ARM MOUNTING (PUSH SIDE)

TECHNICAL DIMENSIONS:

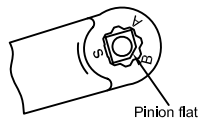


INSTALLATION STEPS:

1. Select opening angle of the door. USE dimensions shown in chart and illustration above to drill mounting holes on door frame and leaf.
2. Attach closer to door leaf with speed regulating valves away from hinge.
3. Attach PA plate to top frame as shown.
4. Remove foot from forearm as shown and discard it.
5. Install main arm on pinion shaft, Rotate pinion 45° toward hinge edge of door to align main arm letter "B" (Right hand door) or "A" (Left hand door) with pinion flat. Fasten with arm screw.
6. Fasten forearm to PA plate.
7. Adjust forearm length to set the arm elbow about 1-1/2" (38mm) from door when connected to main arm. USE washer and screw provided to secure pivot connection. Tighten locknut.
8. Snap pinion cap over spindle at bottom.
9. Adjust closer. (Same to Page 2)



Pinion flat
For left hand door

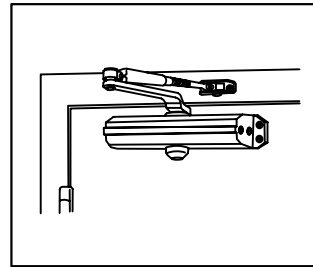


Pinion flat
For right hand door

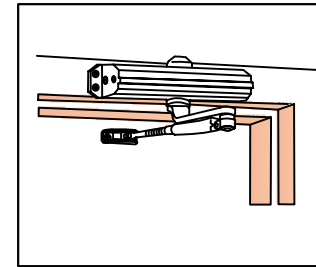
CL8400BF DOOR CLOSERS INSTALLATION INSTRUCTIONS



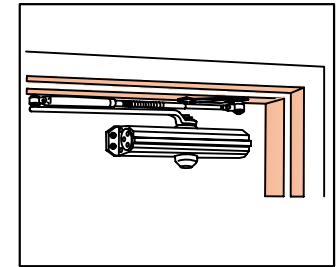
MOUNTING OPTIONS:



Regular Arm (Pull Side)

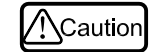
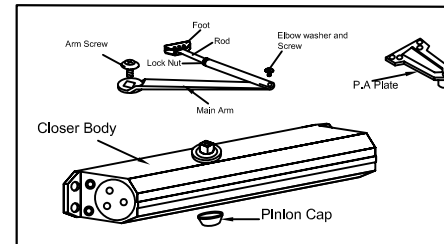


Top Jamb (Push Side)



Parallel Arm (Push Side)

SPARE PARTS OF CLOSERS

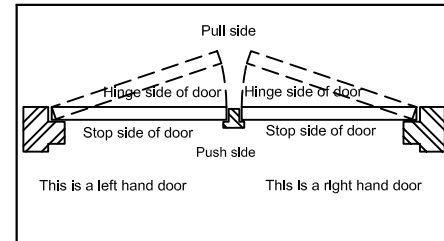


PLEASE READ INSTRUCTIONS CAREFULLY BEFORE INSTALLATION; WE WON'T BE RESPONSIBLE FOR ANY RESULTS WHICH ARE CAUSED BY IMPROPER INSTALLATION!

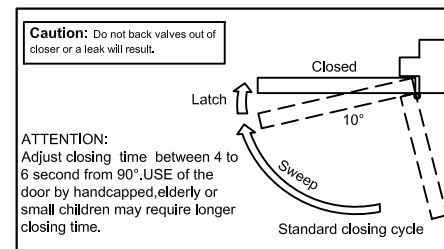
SPRING POWER SETTING AND DOOR WIDTH

Regular & Top Jamb Closers				Parallel Arm Closers		
Maximum Size of Door						
Interior	Exterior Inswing	Exterior Outswing	Interior	Exterior Outswing	Full 360° Turns	
28"					-4 Turns C.C.W	
36"			30"		0 Turn	
42"	30"	36"	36"	30"	4 Turns C.W	
48"	36"	42"	42"	36"	12 Turns C.W	
54"	42"	48"	48"	42"	4 Turns C.W	
60"	48"	54"	54"	48"	12 Turns C.W	

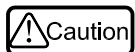
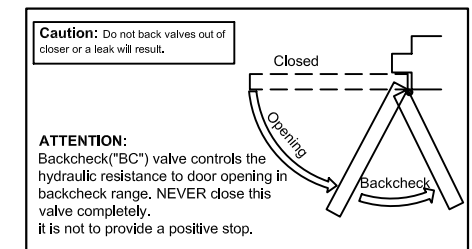
HOW TO TELL HAND OF DOOR.



DOOR CLOSING CONTROL



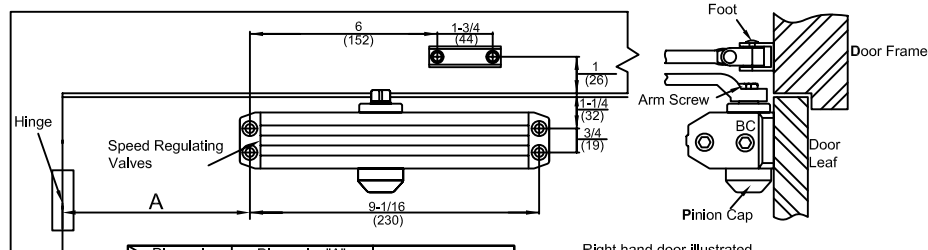
DOOR OPENING CONTROL



IMPROPER INSTALLATION MAY RESULT IN PERSONAL INJURY OR PROPERTY DAMAGE. FOLLOW ALL INSTRUCTIONS CAREFULLY PLEASE.

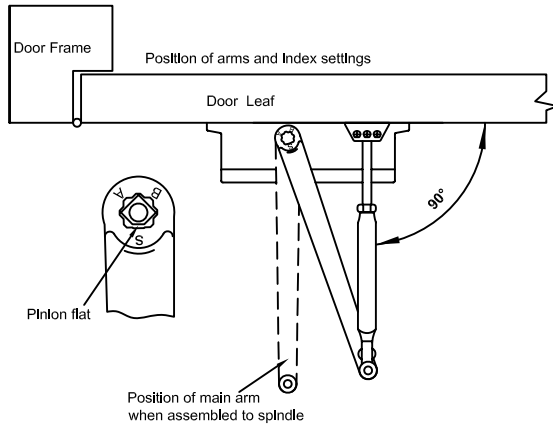
REGULAR ARM(PULL SIDE)

TECHNICAL DIMENSIONS



Dimension Model No.:	Dimension "A"		Opening Angle
	Inch	mm	
CL8400BF	7	178	TO 100°
	6	152	101° TO 120°
	3-1/2	89	OVER 180°

Right hand door illustrated same dimensions apply to left hand door. Measured from hinge center. Dimensions are in **inches** (mm) Not To Scale

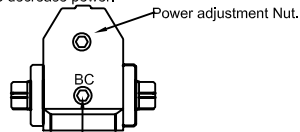


INSTALLATION STEPS:

1. Select opening degree of the door. USE Dimensions as shown to drill mounting holes on door leaf and frame.
2. Assemble main arm to closer pinion spindle.
3. Attach the closer body to door leaf with speed regulating valves toward hinge.
4. Attach the foot and rod to the door frame.
5. Adjust length of the forearm to position forearm at right angle to the door leaf when connected to main arm at elbow. USE Washer and screw provided to secure pivot connection. Tighten locknut on forearm.
6. Snap pinion cap over spindle at bottom of closer.
7. Adjust closer.

POWER SIZE AND BACK CHECK ADJUSTMENT

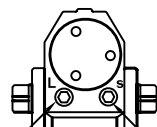
Adjust the spring power as per chart on page 1. DO NOT exceed the maximum turns. The spring power has been preset on size 3 in factory. Turn this screw clockwise to increase or counter clockwise to decrease power.



Turn BC regulating valve clockwise to strengthen or counter clockwise to reduce the intensity. NEVER close this valve completely.

SWEEP AND LATCHING SPEED ADJUSTMENT

Turn speed regulating valve clockwise to slow down or counter clockwise to speed up door movement.

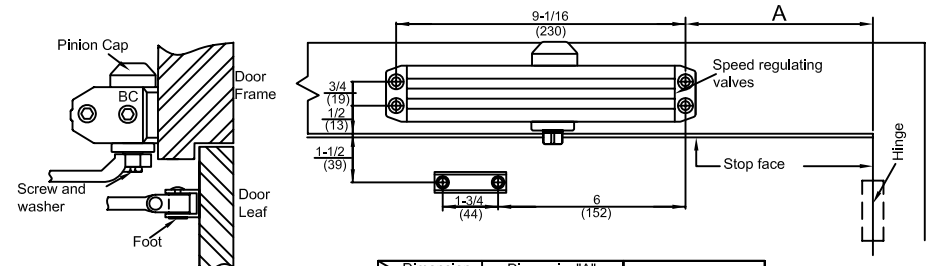


This valve controls latching speed

This valve controls sweep speed

TOP JAMB MOUNTING (PUSH SIDE)

TECHNICAL DIMENSIONS:

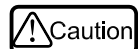
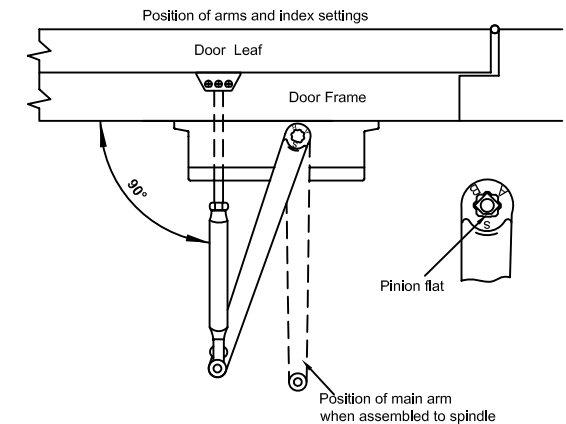


Dimension Model No.:	Dimension "A"		Opening Angle
	Inch	mm	
CL8400BF	7	178	TO 100°
	6	152	101° TO 120°
	3-1/2	89	OVER 180°

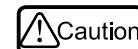
Right hand door illustrated same dimensions apply to left hand door. Measured from hinge center. Dimensions are in **inches** (mm) Not To Scale

INSTALLATION STEPS:

1. Select opening degree of the door. USE Dimensions as shown to drill mounting holes on door leaf and frame.
2. Assemble main arm to the closer spindle.
3. Attach the closer body to door frame with speed regulating valves toward the hinge.
4. Attach the foot and rod on the door leaf.
5. Adjust length of the forearm to position forearm at right angle to the frame when connected to main arm at elbow. USE Washer and screw provided to secure pivot connection. Tighten locknut on forearm.
6. Snap pinion cap over spindle at bottom of the closer.
7. Adjust closer. (Same to Page 2)



IMPROPER INSTALLATION MAY RESULT IN PERSONAL INJURY OR PROPERTY DAMAGE. FOLLOW ALL INSTRUCTIONS CAREFULLY PLEASE.



IMPROPER INSTALLATION MAY RESULT IN PERSONAL INJURY OR PROPERTY DAMAGE. FOLLOW ALL INSTRUCTIONS CAREFULLY PLEASE.